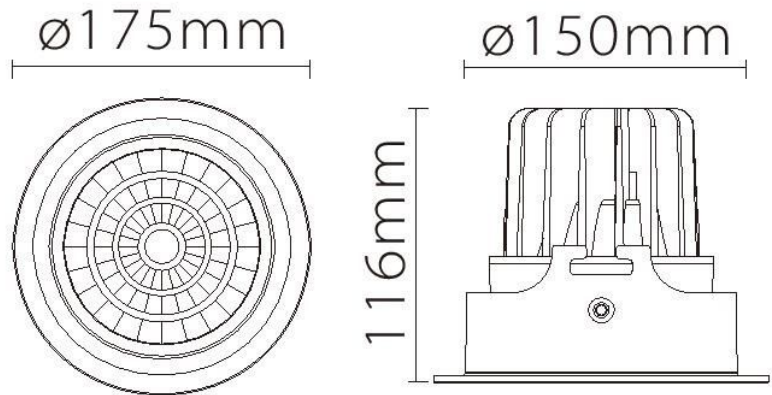


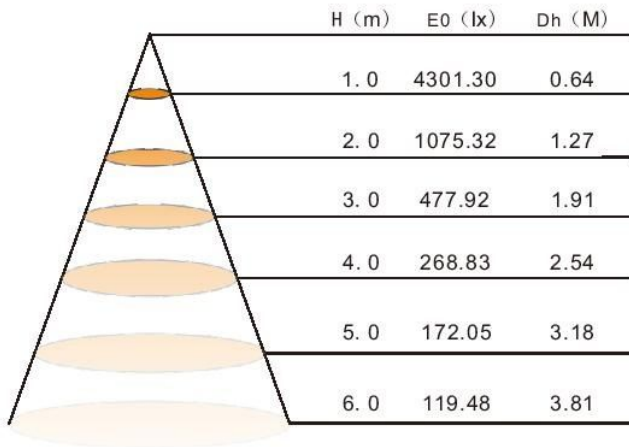
PRODUCT PICTURE



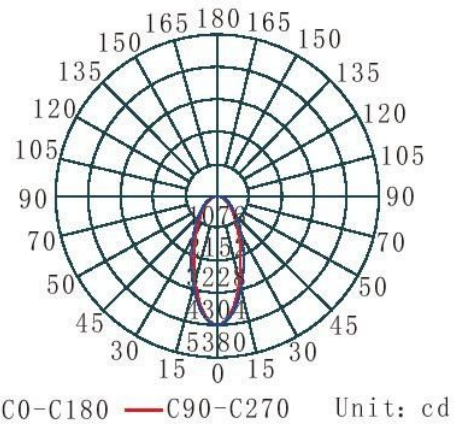
PRODUCT SIZE



ILLUMINANCE AT A DISTANCE:



LUMINOUS INTENSITY DISTRIBUTION CURVE



SPECIFICATION

Item No.	UL-1117013	Chips brand	bridgelux
Size	ø175×116mm	LED type	COB
Output current	750mA	Beam angle	15°/24°/38°/60°
Input voltage	AC:220-240V 50/60Hz	Driver brand	LiFud
Power factor	≥0.9	Working temperature	-20°C to 60°C
Power consumption	30W	Work humidity	20-80%RH
Luminous flux	2400-2700lm	Rated IP	IP20.For indoor use
CRI	≥80	Average life hours	20000 hours

UNI-LUX LIGHTING PAKISTAN

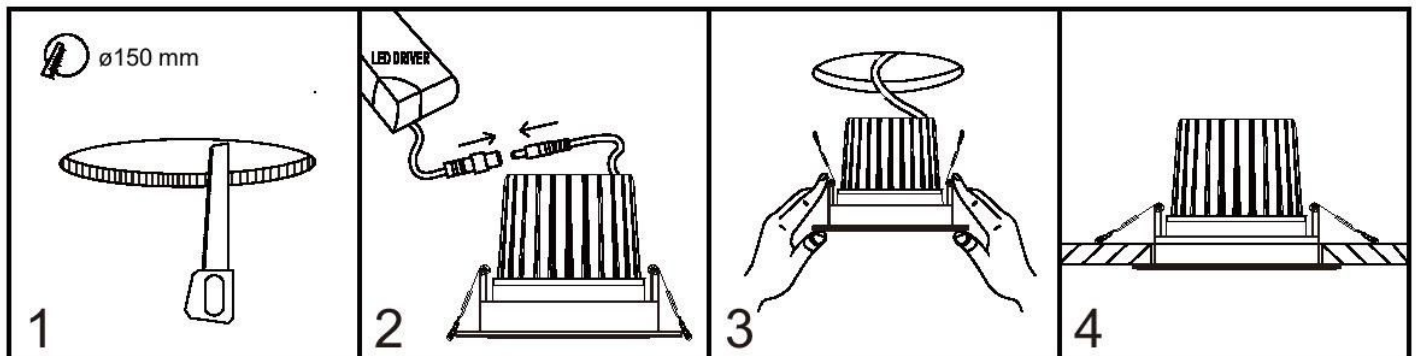
Email: kamran.unilux@gmail.com

Cell No. 0092 321 2434034

PRODUCT DETAILS:



INSTRUCTION



UNI-LUX LIGHTING PAKISTAN

Email: kamran.unilux@gmail.com

Cell No. 0092 321 2434034