

LED Linear Track Light

Tech Specification

BRICKS

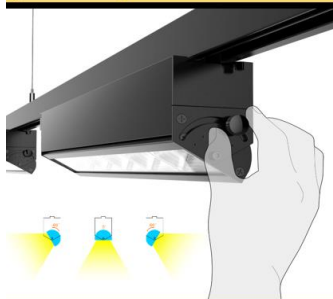
30W/40W/60W Industrial Linear Track Light



Designed for:
Industry & retail lighting

CE
ROHS
SAA

LED Linear Track Light
120° Adjustable beam angle



* Power Range: 30W, 40W, 60W.

* Efficiency: 130 lm/W.

* Beam Angle: 30° / 60° With 120° Adjustable Bracket.

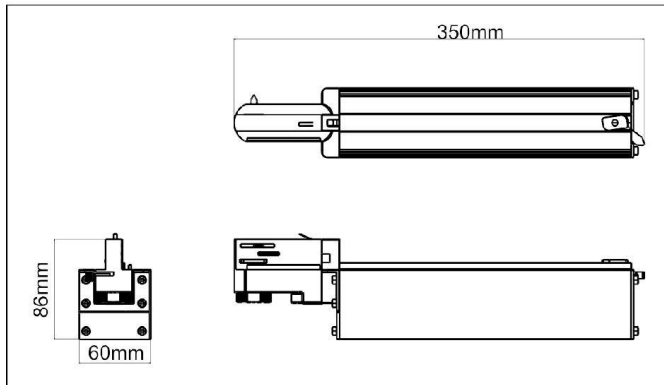
* Track: European standard 4 pin 3 circuits track.

UNILUX LIGHTING PAKISTAN

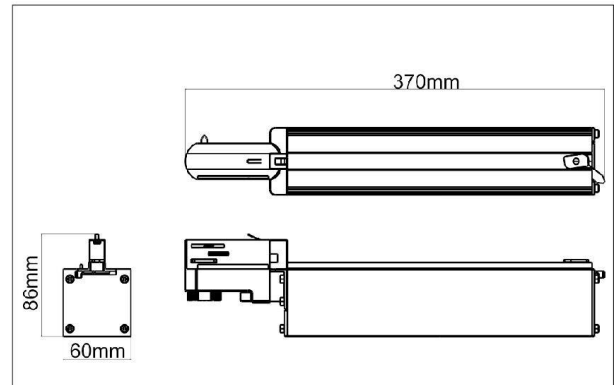
Email: kamran.unilux@gmail.com

Dimension Diagram

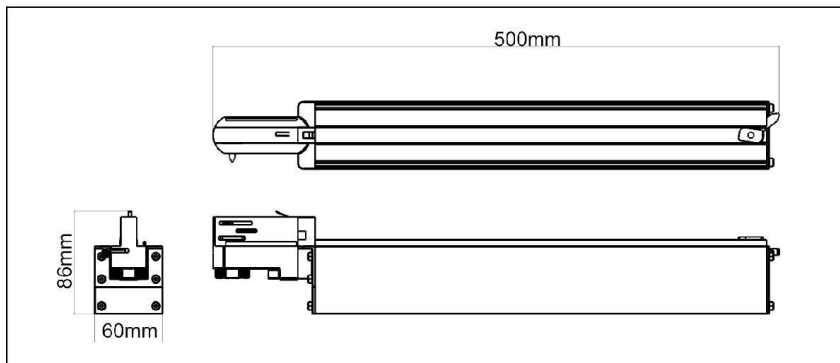
30W



40W



60W



Order Information

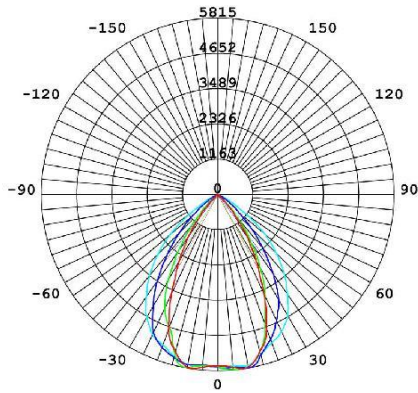
Item NO.	Total Power	LED Supply	Power Supply	Luminous Flux	Flux Efficiency
NGL01-301	30W	EPISTAR	PHILIPS	4200LM	140LM/W
NGL01-401	40W	EPISTAR	PHILIPS	5600LM	140LM/W
NGL01-601	60W	EPISTAR	PHILIPS	8400LM	140LM/W

Other Information

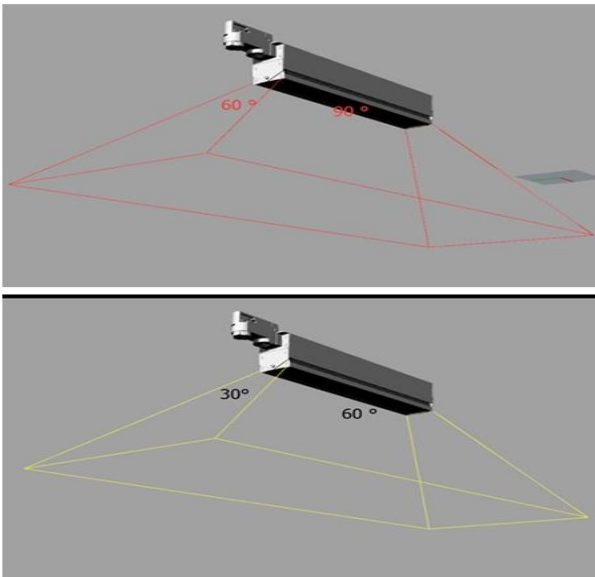
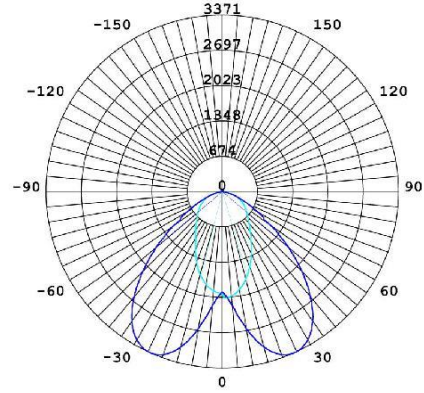
Input Voltage	AC220-240V	Storage Temperature Range	-40 70
	50/60HZ	Operating Temperature Range	40 50
	3000K,4000K,5000K	Operating Humidity Range	15 90 RH
Ra	>70,>80	Protection Level	Ip42
Dimension(L*W*H)	30W:350mm*60mm*86mm	40W:370mm*60mm*86mm	60W:500mm*60mm*86mm
FINISH	Track:black,white Luminaire:black,white		

Light distribution

60° X 90°



Double asymmetric



UNILUX LIGHTING PAKISTAN

Email: kamran.unilux@gmail.com